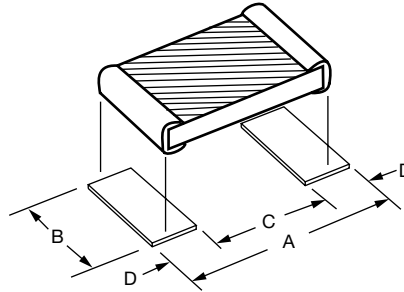


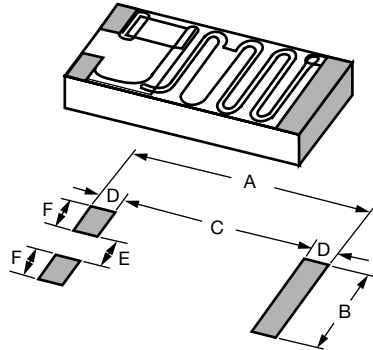
## Solder Pads

### RECOMMENDED SOLDER PADS FOR CHIP RESISTORS



MODEL	DIMENSIONS IN INCHES (mm)			
	A	B	C	D
CRHV1206	0.160 (4.06)	0.060 (1.52)	0.080 (2.03)	0.040 (1.02)
CRHV1210	0.160 (4.06)	0.100 (2.54)	0.080 (2.03)	0.040 (1.02)
CRHV2010	0.240 (6.10)	0.100 (2.54)	0.160 (4.06)	0.040 (1.02)
CRHV2510	0.290 (7.37)	0.100 (2.54)	0.210 (5.33)	0.040 (1.02)
CRHV2512	0.290 (7.37)	0.125 (3.18)	0.210 (5.33)	0.040 (1.02)
RC0540	0.085 (2.16)	0.040 (1.02)	0.015 (0.38)	0.035 (0.89)
RC0550	0.085 (2.16)	0.050 (1.27)	0.015 (0.38)	0.035 (0.89)
RC0575	0.115 (2.92)	0.050 (1.27)	0.035 (0.89)	0.040 (1.02)
RC1100	0.140 (3.56)	0.100 (2.54)	0.060 (1.52)	0.040 (1.02)
RC1206	0.160 (4.06)	0.060 (1.52)	0.080 (2.03)	0.040 (1.02)
RC2010	0.240 (6.10)	0.100 (2.54)	0.160 (4.06)	0.040 (1.02)
RC5100	0.140 (3.56)	0.050 (1.27)	0.060 (1.52)	0.040 (1.02)
RC5150	0.190 (4.83)	0.050 (1.27)	0.110 (2.79)	0.040 (1.02)
RC7225	0.265 (6.73)	0.075 (1.91)	0.185 (4.70)	0.040 (1.02)
RCWP-0201	0.031 (0.79)	0.017 (0.43)	0.009 (0.23)	0.011 (0.28)
RCWP-0302, RCWPM-0302	0.056 (1.42)	0.024 (0.61)	0.014 (0.36)	0.021 (0.53)
RCWP-0402, RCWPM-0402	0.050 (1.27)	0.023 (0.58)	0.020 (0.51)	0.015 (0.38)
RCWP-0502, RCWPM-0502	0.082 (2.08)	0.027 (0.69)	0.020 (0.51)	0.031 (0.79)
RCWP-0603, RCWPM-0603	0.080 (2.03)	0.035 (0.89)	0.040 (1.02)	0.020 (0.51)
RCWP-1100, RCWPM-1100	0.140 (3.56)	0.100 (2.54)	0.060 (1.52)	0.040 (1.02)
RCWP-1206, RCWPM-1206	0.160 (4.06)	0.060 (1.52)	0.080 (2.03)	0.040 (1.02)
RCWP-2010, RCWPM-2010	0.240 (6.10)	0.100 (2.54)	0.160 (4.06)	0.040 (1.02)
RCWP-2512, RCWPM-2512	0.290 (7.37)	0.125 (3.18)	0.210 (5.33)	0.040 (1.02)
RCWP-5100, RCWPM-5100	0.140 (3.56)	0.050 (1.27)	0.060 (1.52)	0.040 (1.02)
RCWP-5150, RCWPM-5150	0.190 (4.83)	0.050 (1.27)	0.110 (2.79)	0.040 (1.02)
RCWP-540	0.085 (2.16)	0.040 (1.02)	0.015 (0.38)	0.035 (0.89)
RCWP-550, RCWPM-550	0.085 (2.16)	0.050 (1.27)	0.015 (0.38)	0.035 (0.89)
RCWP-575, RCWPM-575	0.115 (2.92)	0.050 (1.27)	0.035 (0.89)	0.040 (1.02)
RCWP-7225, RCWPM-7225	0.265 (6.73)	0.075 (1.91)	0.185 (4.70)	0.040 (1.02)

## RECOMMENDED SOLDER PADS FOR CHIP DIVIDERS



MODEL	DIMENSIONS IN INCHES (mm)					
	A	B	C	D	E	F
CDHV2512	0.290 (7.37)	0.125 (3.18)	0.210 (5.33)	0.040 (1.02)	0.045 (1.14)	0.040 (1.02)